

# DFc series multidirectional diffusers

---

## DFC SERIES MULTIDIRECTIONAL SPEAKERS

---




---

### CARATTERISTICHE

---

Diffuser, which can be used for both air intake and extraction in indoor environments, especially ceiling/ceiling. It consists of a flat white screen, spaced from the frame so as to spread air tangentially to the four sides, and a frame that also acts as a support for the screen. The frame is in view and the screen is at the same elevation as the frame. The screen pulls out and inserts very easily for cleaning.

#### Fixing methods

- Steel clips (springs) for quick-release attachment of the screen to the frame. In addition, the frame has 2 safety hooks made of nylon thread to be attached (by the customer) to two of the eight screen spring-fixing screws by unscrewing the nuts, inserting the eyelets under the washers, and screwing them back on.
- Mounting of the frame on the PAL plenum, if any, is quick-fit (see also the PAL plenum data sheet).

#### Materiali di costruzione

- Aluminum thickness. 1.5 mm for the screen.
- PVC color white RAL 9010 for the frame.
- Forex thick. 6 mm for the insulation board on the non-visible face of the screen.
- Steel for clips (springs).

#### Screen color

White RAL 9010, with epoxy powder coating.




---

### ACCESSORIES

---

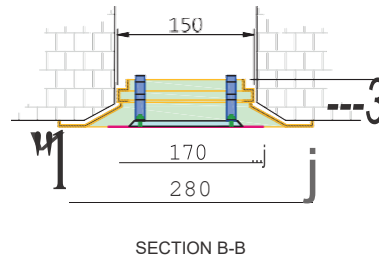
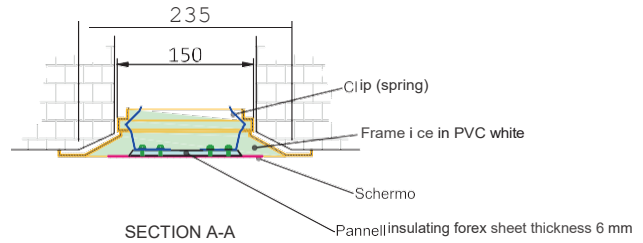
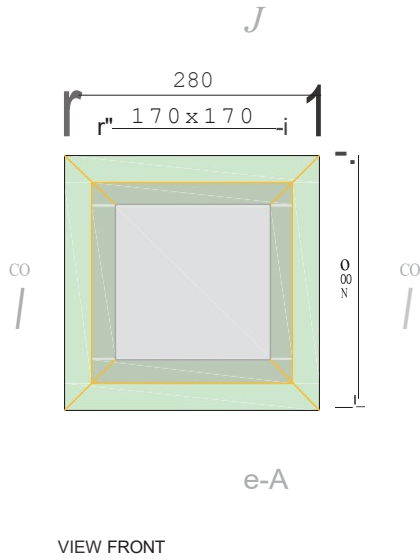
- Contrast calibration damper (PVC frame and bayblend fins) series -S/02.
  - Plenum in "PAL" series PAL/02.
-

**DIMENSIONS**

**Multidirectional diffuser DFC 150x150**

**Code -DFC/150X150B**

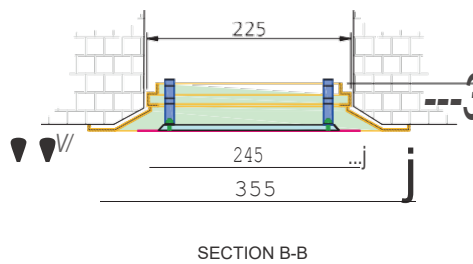
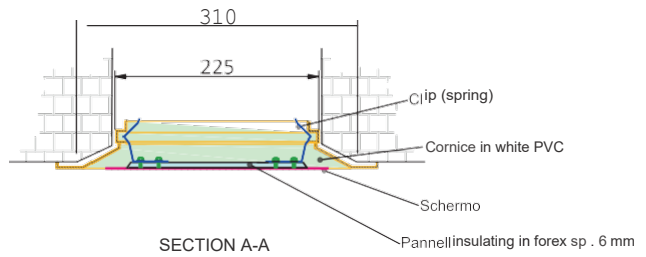
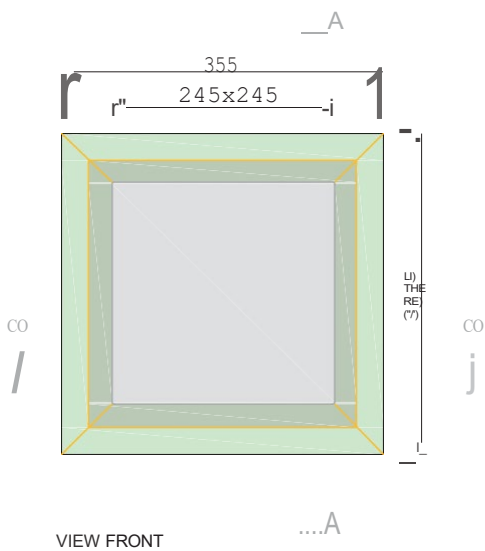
With aluminum screen thickness. 1.5 mm white RAL9010.



**Multidirectional diffuser DFC 225x225**

**Code - DFC/225X225B**

With aluminum screen thickness. 1.5 mm white RAL9010.

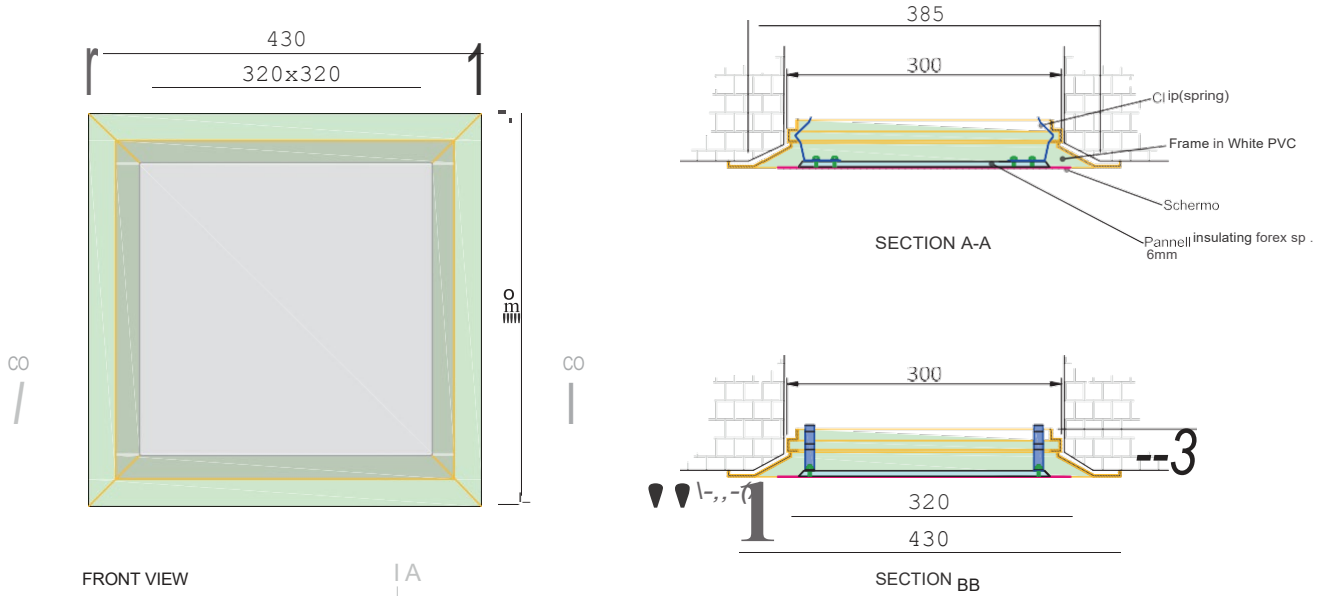


**DIMENSIONS**

Multidirectional diffuser DFC 300x300

Code - DFC/300X300B

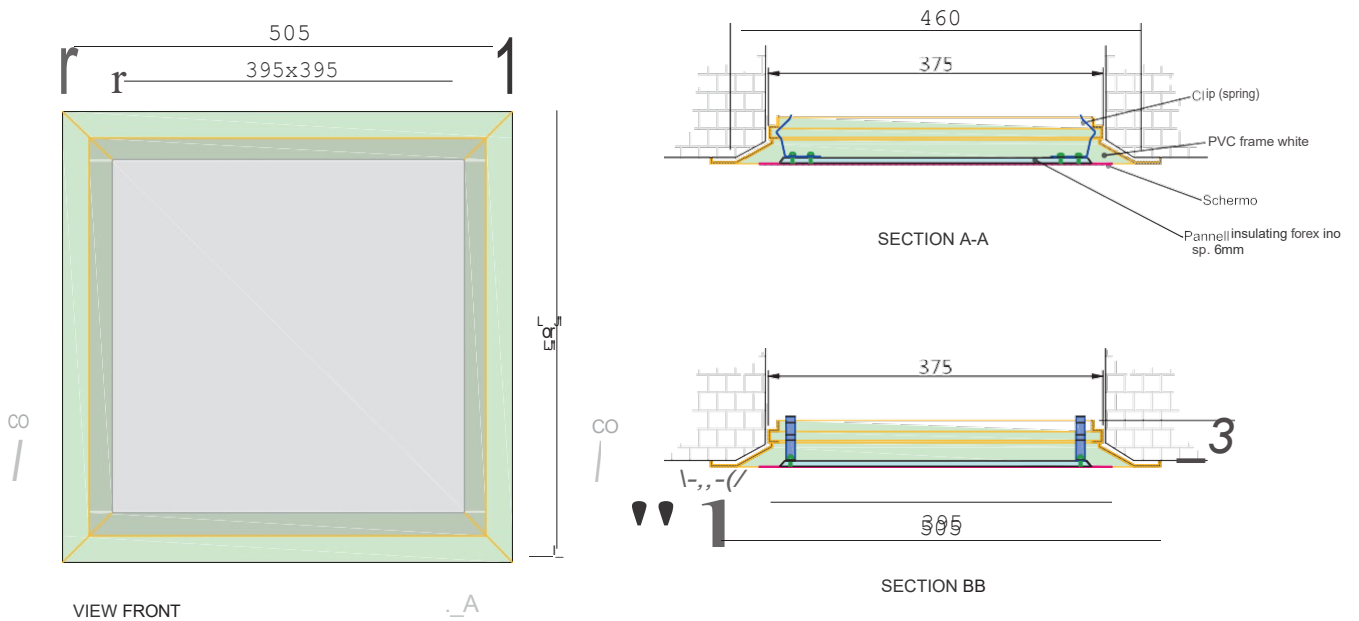
With aluminum screen thickness. 1.5 mm white RAL9010.



Multidirectional diffuser DFC 375x375

Code - DFC/375X375B

With aluminum screen thickness. 1.5 mm white RAL9010.



**TABLE WITH SPEAKER DIMENSIONS**

Code	Position screen	Plenum neck connection measurements [mm].	External measurements [mm]	Hole measurements on ceiling [mm].
- DFC/150X150B	fixed	150x150	280x280	235x235
- DFC/225X225B	fixed	225x225	355x355	310x310
- DFC/300X300B	fixed	300x300	430x430	385x385
- DFC/375X375B	fixed	375x375	505x505	460x460
- DFC/450X450B				
- DFC/375X150B	ask ours. technical office			
- DFC/450X225B				

**QUICK SELECTION TABLE**

Code	Area on useful diffusion contour [m <sup>2</sup> ]	Flow rate ( m <sup>3</sup> /h) with v = 2.5 m/s Pressure drop: 2 Pa	Flow rate ( m <sup>3</sup> /h) with v = 3 m/s Pressure drop: 3 Pa	Flow rate ( m <sup>3</sup> /h) with v = 4 m/s Pressure drop: 5 Pa	Flow rate ( m <sup>3</sup> /h) with v = 5 m/s Pressure drop: 8 Pa	Flow rate ( m <sup>3</sup> /h) with v = 6 m/s Pressure drop: 12 Pa
-DFC/150X150B	0.0082	73	88	117	147	176
-DFC/225X225B	0.0116	104	125	167	208	250
-DFC/300X300B	0.0154	138	166	221	277	277
-DFC/375X375B	0.0190	171	205	273	342	410
- DFC/450X450B						
- DFC/375X150B	ask ours. technical office					
- DFC/450X225B						

REV 10/2024



Airplast S.r.l. a sole shareholder company -  
 is a company of the FITT Group  
 Head Office: Via Piave, 8, 36066 Sandrigo (VI)  
 Warehouse - Production: Via Aldo Moro, 10, 36060 Pianezze (VI)  
 Tel: +39 0424 17 54 519 / info@airplast.it  
 airplast.it

VAT No. 03157090238, Tax code 02493560243  
 Companies' Register enrolment No. VI 02493560243  
 E&A Index No. VI 379338  
 Quota capital €uro 10.500.00 fully paid-in  
 Airplast srl - Company subject to the management and  
 co-ordination of FITT S.p.A. - Tax code No.00162620249